

# LISUS<sup>®</sup>

DESIGN • ENGINEERING • MANUFACTURING



## N Series glassconnectors



ID-A-GC1

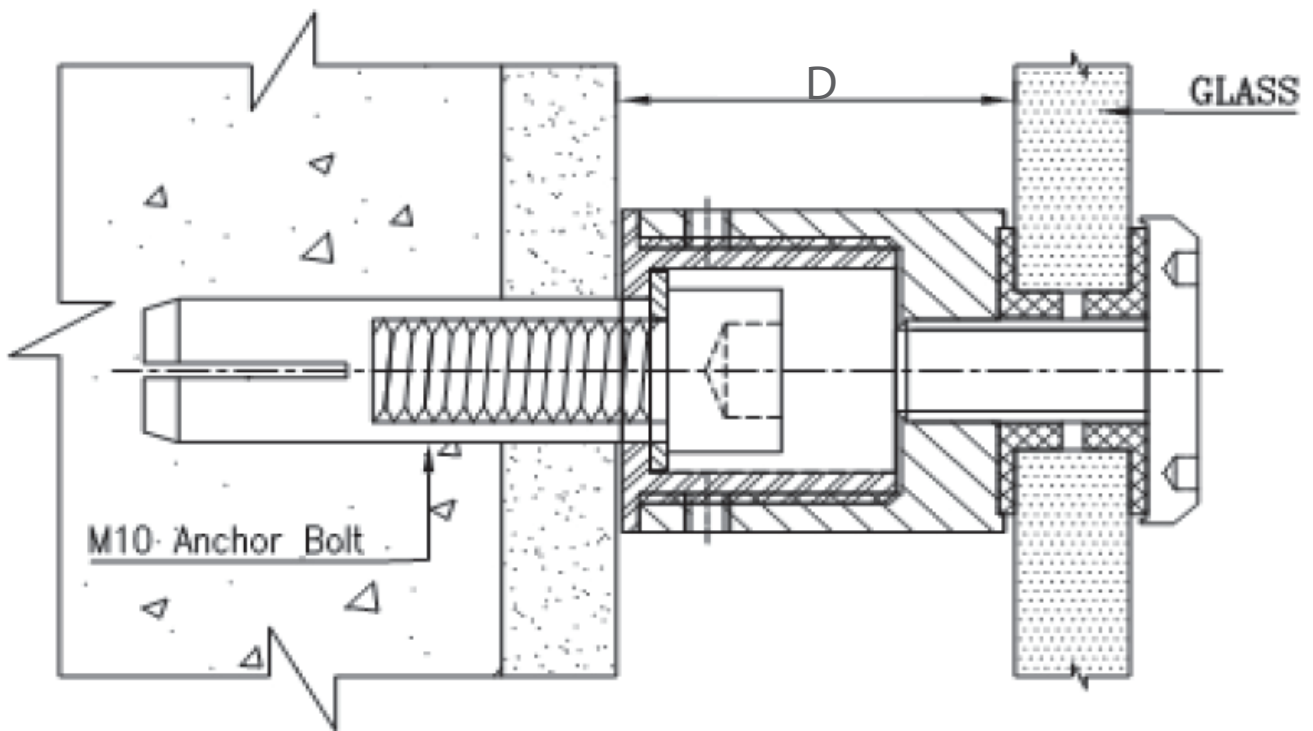


ID-GC1



ID-AF-GC2

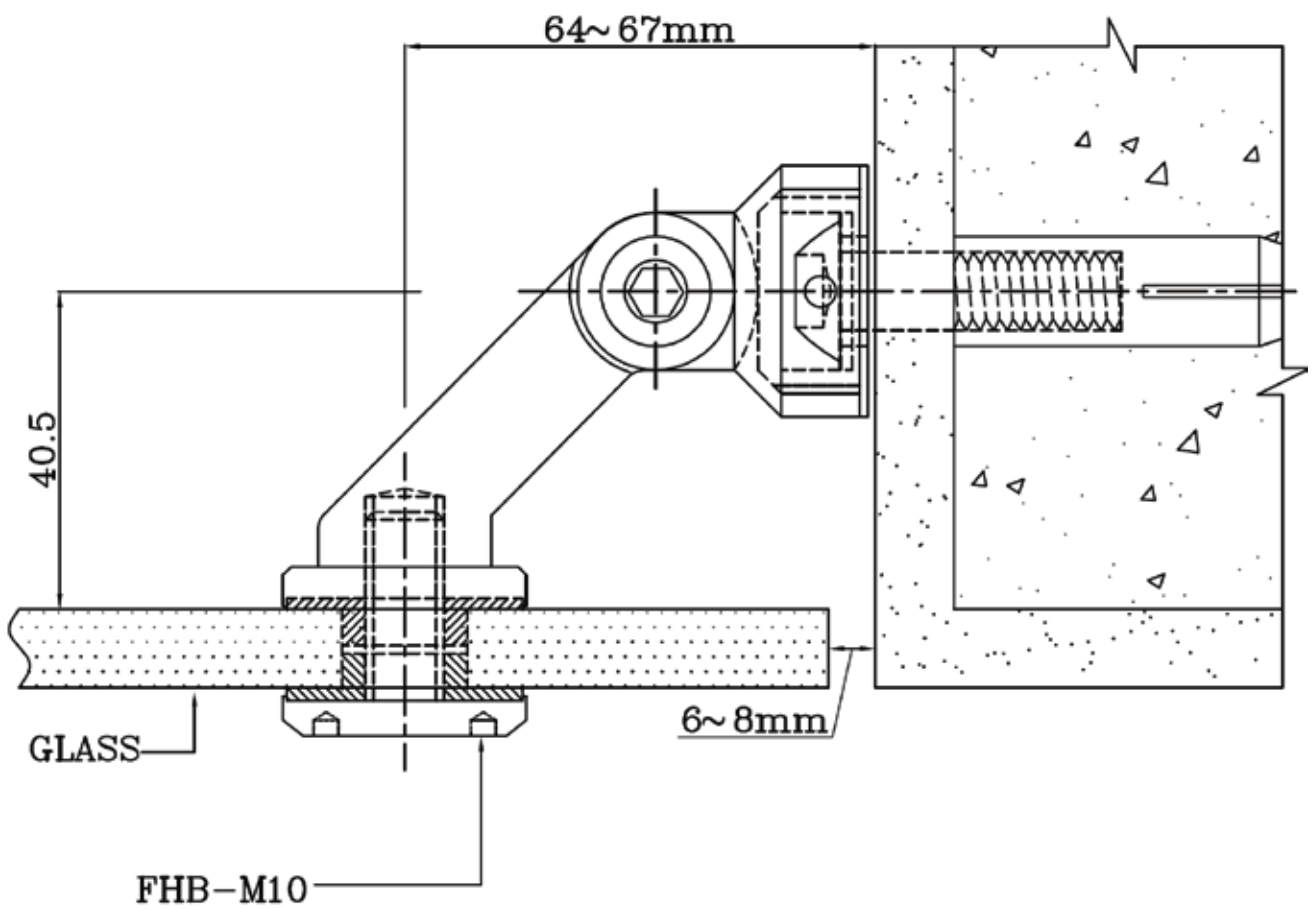
INTERIOR CONNECTOR SYSTEM  
Fixed Single Point Connector  
(Flat Head)  
ID-GC1



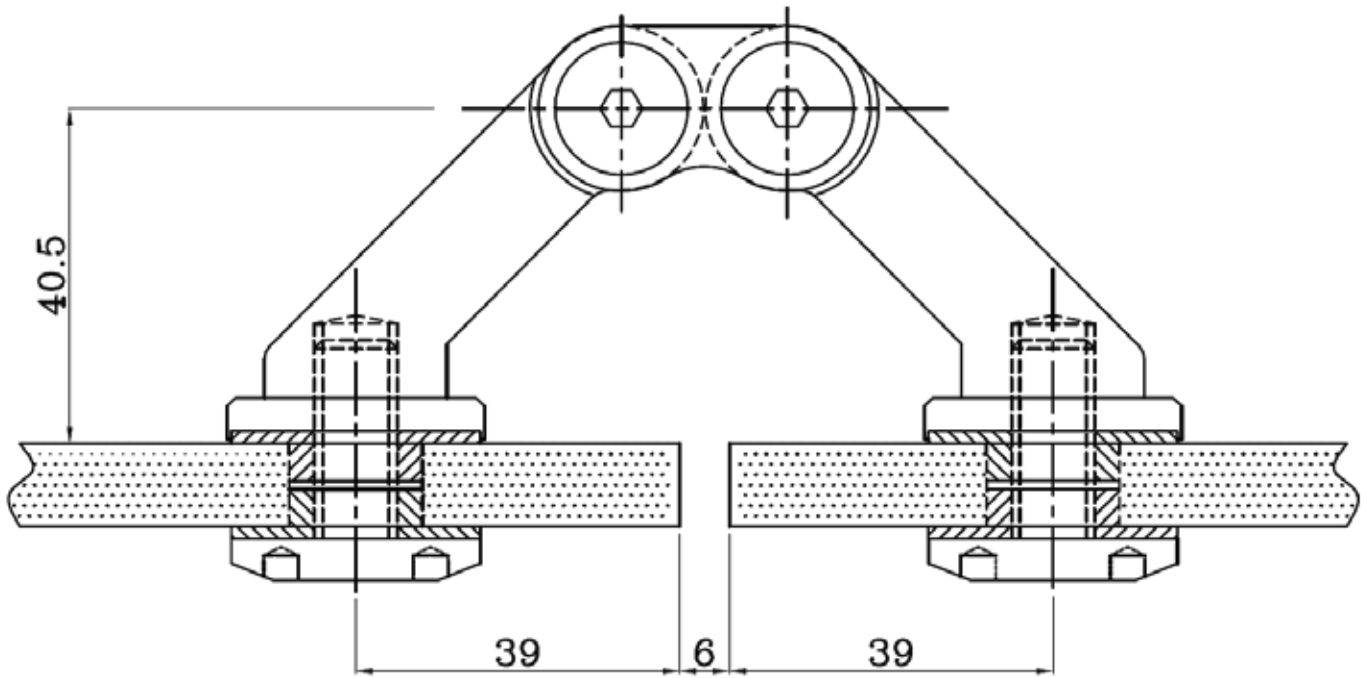
D = 25-31 mm  
31-41 mm  
41-61 mm

\*Customise Length Upon Request.

INTERIOR CONNECTOR SYSTEM  
Adjustable Single Point Connector  
ID-A-GC1



INTERIOR CONNECTOR SYSTEM  
Adjustable Double Point Connector  
ID-A-GC2



## INTERIOR CONNECTOR SYSTEM Adjustable Glass Fin Connector ID-AF-GC2

